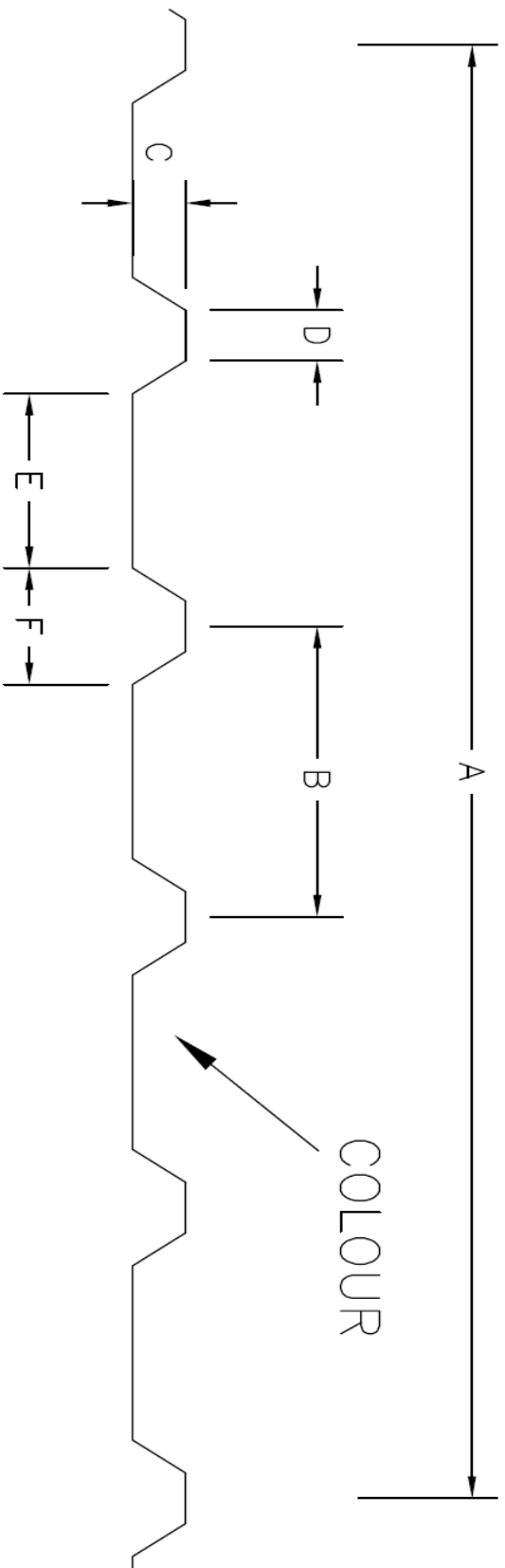


Supplier:		Coating:		<u>Notes:</u> PROFILE IDENTIFICATION
Profile:		Colour:		
Gauge:		Cover Width:		



A	B	C	D	E	F